

PRODUCTO

BISAGRA OCULTA MODELO 521, ZAMAK Y ACETAL

► DESCRIPCIÓN

Bisagra invisible, modelo 521, para puertas de paso no solapadas y para marcos de madera. Profundidad de fresado reducida de 21 mm. Sistema funcional de bisagra completamente oculto. Regulación en 3 sentidos (lateral +/- 1,5 mm, altura +/- 2,5 mm, profundidad +/- 1,0 mm). Hasta 40 kg, (2 bisagras). Medidas: 110 x 24 mm. Material: Zamak y acetal.

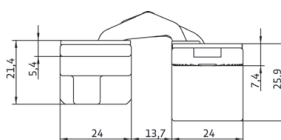
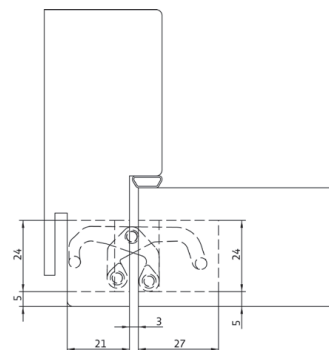
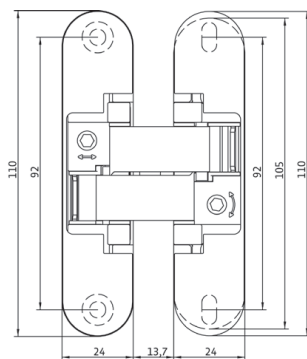
► MATERIAL

Zamak.

► ACABADO

Cromo satinado, níquel satinado, negro satinado y blanco.

IMÁGENES



OTROS DATOS

REF. AN 150 3D

MEDIDA: 110x24 mm

CÓDIGO	REFERENCIA	ACABADO
96333	AN 150 3D-14	Cromo satinado
96334	AN 150 3D-44	Níquel satinado
96335	AN 150 3D-18	Negro satinado
96336	AN 150 3D-49	Blanco

AN 150 3D

for unrebated residential doors with 21 mm reduced hinge frame part up to 40 kg

hinge	21 mm hinge frame part	up to 40 kg
-------	------------------------	-------------

Product features

- reduced hinge frame part 21 mm
- completely concealed hinge system
- for timber frames
- for unrebated residential doors
- 3D adjustable (side +/- 1.5 mm, height +/- 2.5 mm, compression +/- 1.0 mm)
- material zamak / acetal

Technical details

load capacity	2 hinges per door leaf (900x2100 mm)	40.0 kg
overall length		110.0 mm
width (frame)		
width (door)		24.0 mm
cutter diameter		14.0 or 16.0 mm
collar ring diameter		25.0 or 27.0 mm
opening angle		180°

Finish

Satin Chrome (AN 014), Coated Bronze (AN 017), Black (AN 018), Antique Bronze (AN 035), Aluminium Chrome (AN 036), Polished Brass (AN 037), Polished Chrome (AN 039), Satin Nickel (AN 044), RAL 9016 Traffic White (AN 049)

Combination

receiver	casing frame	AN 140 3D FZ
----------	--------------	--------------

Note

i The load capacity mentioned above refers to the use of 2 hinges per door leaf (900 x 2100 mm).

Suggested screws:

Frame side: Countersunk head screws DIN 7505 A, Diameter 4.5 mm

Door side: Pan head screws DIN 7505 B, Diameter 4.5 mm